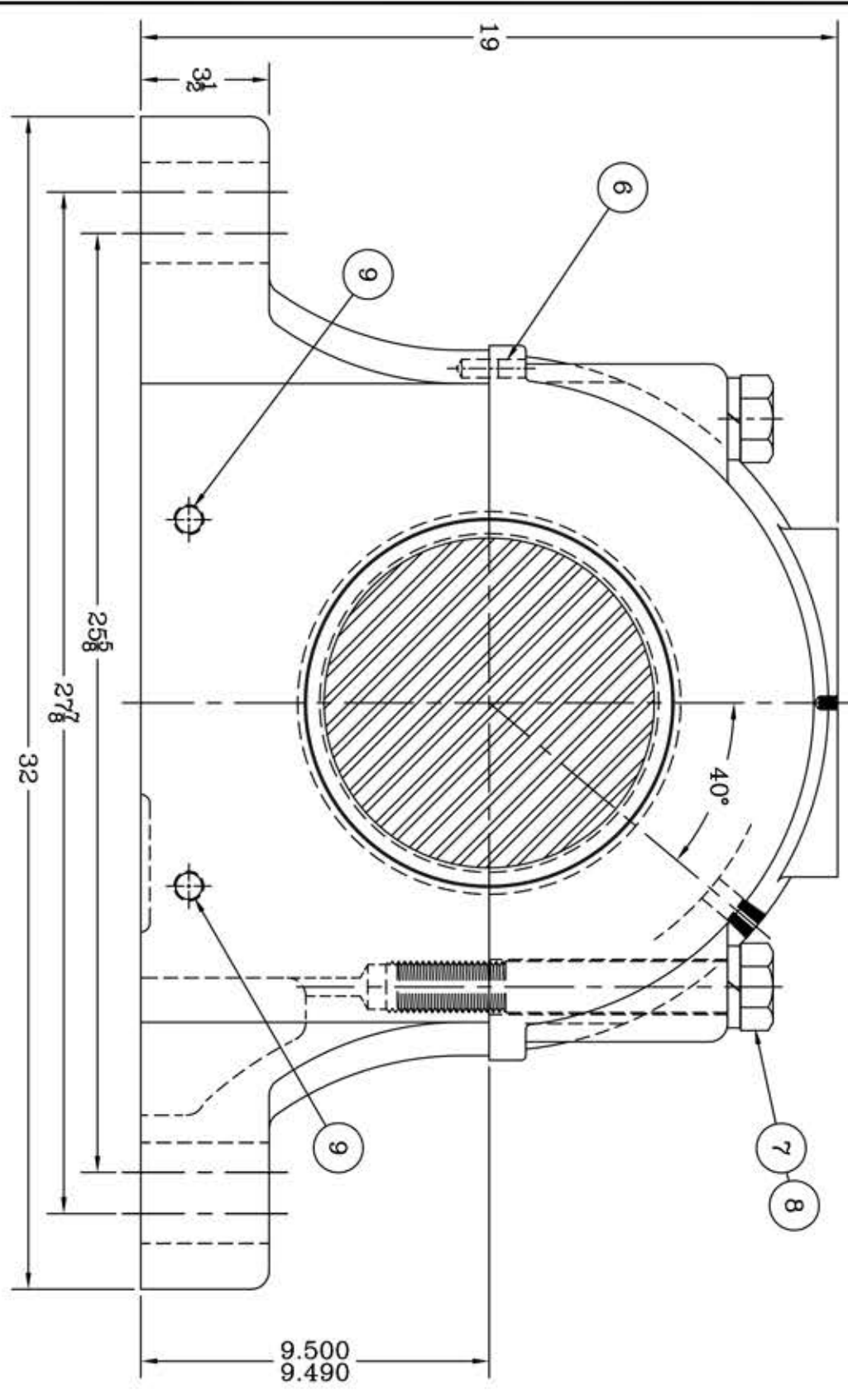
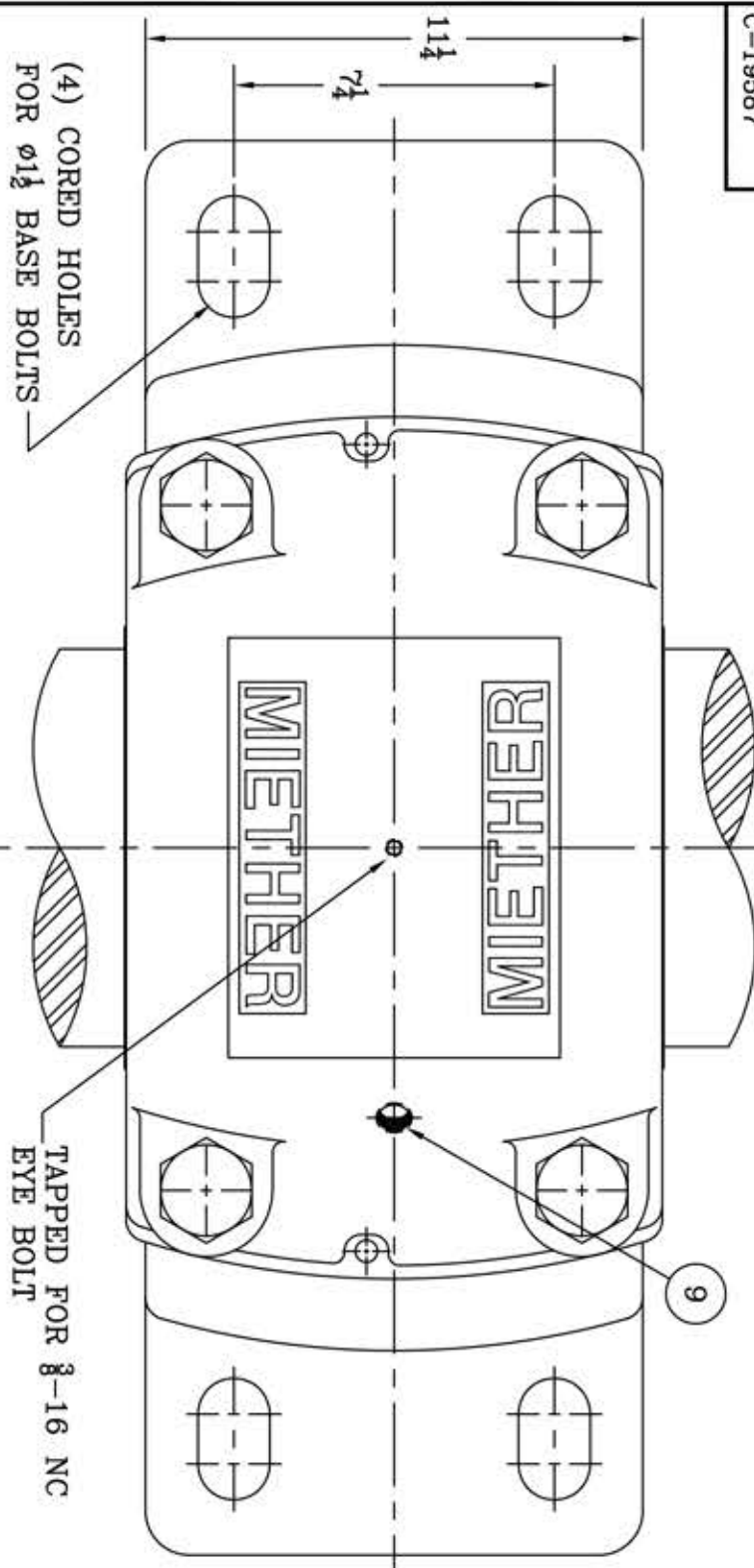
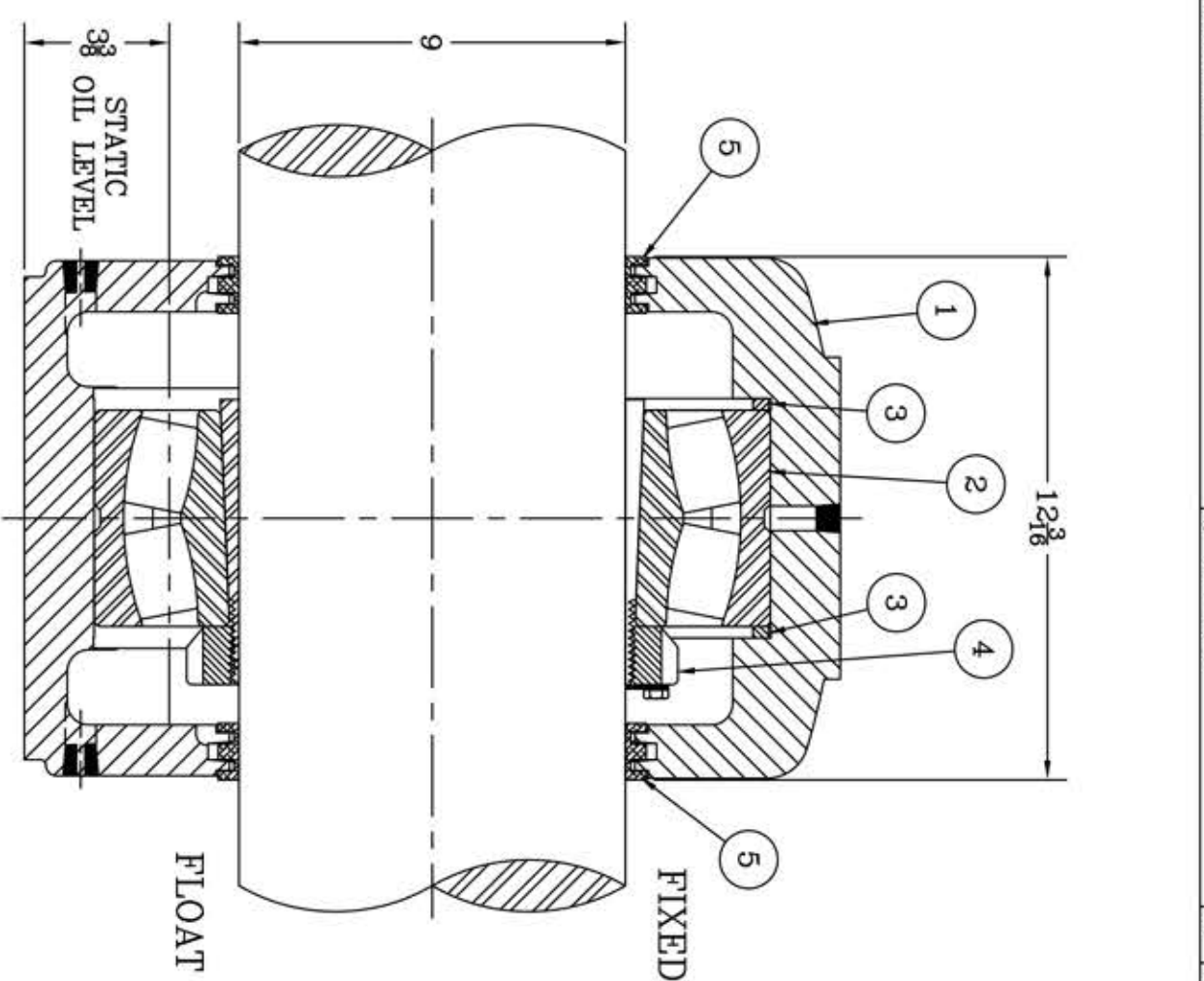


This drawing is the sole property of Miether Bearing Products and contains confidential and proprietary information. It is being provided to you for your use and may not be disclosed to any third party or used for any other purpose without Miether's prior written consent. The [materials] must be returned to the Company upon its demand. Your acceptance of these materials constitutes your acceptance of the foregoing terms.

C-19587



ITEM	DESCRIPTION	DETAIL	REQUIRED
1	HOUSING SDAF-3148 K x 9	C-19601	1 1
2	SPHERICAL ROLLER BEARING	23148K/W 33	1 1
3	STABILIZING RING SR-A-8898	A-15856	2 0
4	ADAPTER SNP 3148 x 9	24293	1 1
5	TRIPLE SEAL RING ER-702	A-13404	2 2
6	DOWEL	$\phi 2$ x 1 LONG	2 2
7	CAP BOLT HEX. HEAD	$1\frac{1}{8}$ -6 NC x 9 LONG	4 4
8	LOCKWASHER	$1\frac{1}{8}$ SPLIT MED.	4 4
9	PIPE PLUG	$\frac{1}{2}$ -14 NPT	5 5



REDRAWN ON COMPUTER
AR per KAB
3-12-04

REVISIONS

SYMBOL	DESCRIPTION
C	REVISIONS
D	REVISIONS
E	REVISIONS
F	REVISIONS
G	REVISIONS
J	REVISIONS
K	REVISIONS

AN ALCO INDUSTRIES COMPANY
BEARING PRODUCTS
ODESSA, TX USA

SDAF 23148 K 09-00	ASSEMBLY DRAWING
SCALE 1 = 3	ASSEMBLY NO.
DRAWN BAB	DRAWING NO.
DATE 1/27/87	CHK: C-19587

TOLERANCE: UNLESS OTHERWISE SPECIFIED
FRACTIONS $\pm 1/32$ "
DECIMALS $\pm .005$ "
CASTING $\pm 1/16$ "
ANGLES $\pm 0^\circ 30'$
WELD $\pm 1/16$ "
A.I.S.I. STANDARD FINISHES